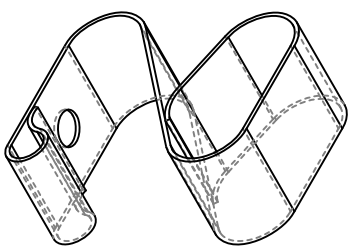
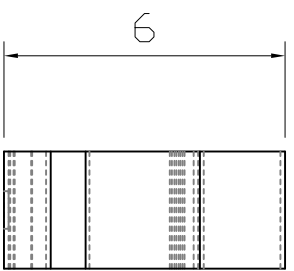
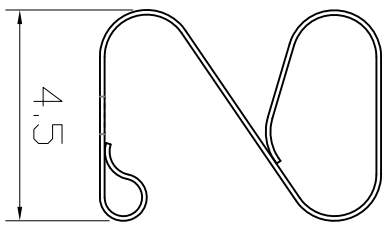
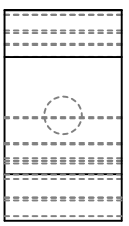
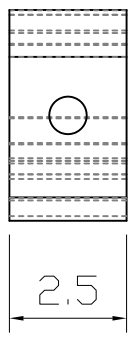
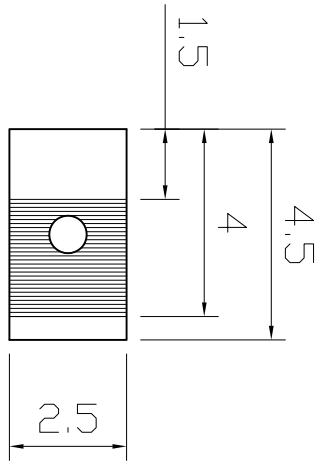


PCB Layout Recommendation



3D View



SOLDER PAD DIMENSION

*** This file contains confidential information intended for a specific individual and purpose, and is protected by law, if you are not the intended recipient, you shouldn't own this file and are hereby notified that any disclosure, copy or distribution of this data, or the talking of any action based on it, are strictly prohibited.

- NOTES :
1. Material : C1720 1/2H 0.10 T
 2. The tolerance is ± 0.2 mm
 3. Dimension : 2.5(W)X4.5(L)X6.0(H)
 4. Plated : Sn Plated

APPD:	QTY:	ALINK PRECISION CO.,LTD.		ALINK P/N:	5S2545060B
DR:	SCALE:	Customer :		Customer P/N :	
CHKD:	1 : 1				
Draw by:	REV:	UNIT:	MAT'L:	Plate:	Sn Plated
Blues	A1	mm	C1720 1/2H 0.10 T		
		ALINK		ALINK	